



Save More & Care Less



NO time-consuming formwork needed



NO concrete wall needed



NO technical shaft needed

Dreaming of having your own swimming pool while concerning it is too impractical and expensive? Don't worry! Our Easy Pool can offer you an easier solution by just 4 simple steps.



Dig a pit

This should be slightly larger than the base area of the pool to make it easier to work from the side



Build a concrete slab

All that required is to build a concrete base.



Lift in the pool

Accessibility for the crane lift must be checked in advance.

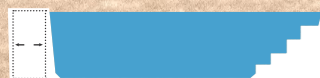


Filling & backfilling

Fill the pool first - then backfill the surrounding area.



Our unique design of the service hatch allows all electrical parts can be accessed from above, making maintenance easier!



All electrical components on one side



Innovative service hatch design



FIND US ON



FULLY INGROUND EASY POOL





PSAB600G-Y



BASIC INFORMATION

Dimension	5915 x 2350 x 1520 mm
Product layout	Single zone
Water capacity(L)	7975
Dry weight(kg)	853
Power supply	15 Amp

SWIM SYSTEM

Swim jets	1 x Swim machine
10-speed swimming	Yes
Swim pole base & Handrail	Yes

WATER CARE SYSTEM

Filtration pump	1 x 0.5HP High flow filtration pump
Sanitizer system	Ozone venturi
Filtration system	Single high-efficient blue filter x 2
Plumbing	PVC hose

INSULATION SYSTEM

CONTROL SYSTEM

Control system	Spatech CA300-3KW
Control panel	Touch screen TP10
Wifi	Yes



PSAB700G-Y



BASIC INFORMATION

Dimension	7065 x 2350 x 1520 mm
Product layout	Single zone
Water capacity(L)	10230
Dry weight(kg)	1212
Power supply	15 Amp

SWIM SYSTEM

Swim jets	1 x Swim machine
10-speed swimming	Yes
Swim pole base & Handrail	Yes

WATER CARE SYSTEM

Filtration pump	1 x 0.5HP High flow filtration pump
Sanitizer system	Ozone venturi
Filtration system	Single high-efficient blue filter x 2
Plumbing	PVC hose

INSULATION SYSTEM

CONTROL SYSTEM

Control system	Spatech CA300-3KW
Control panel	Touch screen TP10
Wifi	Yes



PSAB800G-Y



BASIC INFORMATION

Dimension	7985 x 2350 x 1520 mm
Product layout	Single zone
Water capacity(L)	12000
Dry weight(kg)	1426
Power supply	15 Amp

SWIM SYSTEM

Swim jets	1 x Swim machine
10-speed swimming	Yes
Swim pole base & Handrail	Yes

WATER CARE SYSTEM

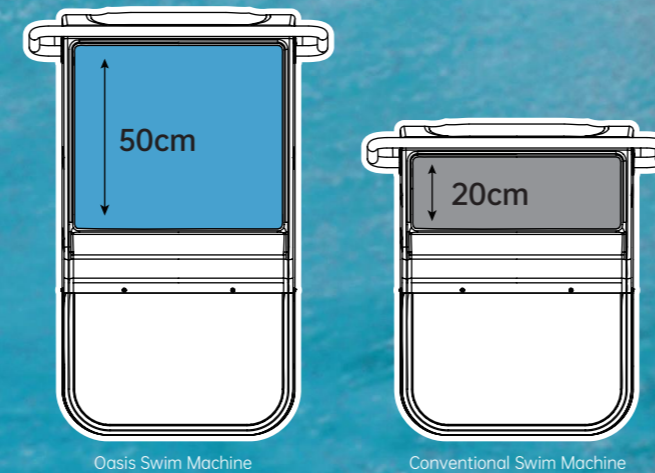
Filtration pump	1 x 0.5HP High flow filtration pump
Sanitizer system	Ozone venturi
Filtration system	Single high-efficient blue filter x 2
Plumbing	PVC hose

INSULATION SYSTEM

CONTROL SYSTEM

Control system	Spatech CA300-3KW
Control panel	Touch screen TP10
Wifi	Yes

Create a lazy river in your backyard



- Breakthrough independent swimming system, no need to install pumps and pipes.

- Compared with the standard depth of 18-20cm water outlet, our swimming machine's 50cm water outlet design provides a large and more even water flow. This creates a smooth and wave-free environment, perfectly simulating the water flow of an open river.

- The inverter counter-current system provides a selection of 10 speed variations tailored to different swimming styles and abilities. Even the most proficient swimmers will discover a stimulating challenge in this robust, fully adjustable current, devoid of turbulence.



Fully Inground Design

Upgrade to fully in-ground Easy Pool for a sleek, low-maintenance alternative to traditional pools. With its integrated counter-current system, enjoy challenging workouts in a compact, stylish package. Dive into the future of swimming with Easy Pool.



Easy on Space

- Minimal garden disruption
- Maximize patio space
- Starting from just 6.0m x 2.35m



Easy on Temperature Control

- All-season allure
- Touch & go comfort
- WIFI included



Easy on Cost

- Energy-efficient insulation for savings
- Inner heat shield for lasting value
- Fully CEC certified



Easy on water maintenance

- Top-tier filtration
- Efficient ozone purification



Easy Pool VS Conventional Concrete Pool

	Easy Pool	Conventional Concrete Pool
Cost	✔ Avoid extra expenses like shaft drilling and form-work, saving on overall costs.	✘ Expensive construction due to drilling and form-work.
Installation	✔ Set up is quick and requires less space.	✘ At least 3 months and occupies significant space, leading to higher labor costs.
Swim	✔ Enjoy uninterrupted swims without flip-turns.	✘ Frequent flip-turns disrupt the swim.
Maintenance	✔ Superior filtration reduces chemical use and upkeep, lowering operational costs.	✘ Requires harsh chemicals, frequent water changes, and rigorous cleaning, increasing upkeep costs.